



City of Ontario
Terry Leighton, Fire Chief
Ontario Fire & Rescue
444 SW 4th Street
Ontario, OR 97914
Voice (541) 881-3230
Fax (541) 889-7688
terry.leighton@ontariooregon.org

Commitment

Openness

Respect

Efficiency

August 20, 2021

Adam Tschida
Power Rd. Tax lot 1000
Ontario OR. 97914

Eric Evans
Malheur County
Planning and Development

Hello Adam and Eric, I have reviewed the overhead map of the property and I see some issues for the fire department with access. I have attached the International Fire Code standard for access roads. This is based on the 2018 IFC or 2019 Oregon Fire Code. The Oregon code and IFC state the minimum access width to be 20' up to 500' in length and 26' wide for over 501' long. (D103.4) I have researched some other departments in the state and they allow for if the access road feeds only 2 residences or no more than 4 structures they allow the access road to be only 12' wide with turnouts provided every 400'. The turnouts must be 10' feet wide in addition to the 12' access road and 30' long plus 10' taper on the ends. This allows 2 fire apparatus to be able to pass each other. (503.1 exception 3) The access to this property appears to be longer than 500 feet long approx. 970 feet long. I would allow this style of access road as long as it also includes one of the Oregon fire code approved dead-end fire apparatus access road turnarounds as shown on Appendix D including the turn-around portions to be the required 20' width. The access road cannot have a grade steeper than 10% and must have a required vertical clearance of 13'6".

A residence built on this site will need to meet NFPA 1142 Fire flow requirements.

Thank you,

Terry Leighton

APPENDIX D

FIRE APPARATUS ACCESS ROADS

The provisions contained in this appendix are adopted by the State of Oregon.

User note:

About this appendix: Appendix D contains more detailed elements for use with the basic access requirements found in Section 503, which gives some minimum criteria, such as a maximum length of 150 feet and a minimum width of 20 feet, but in many cases does not state specific criteria. This appendix, like Appendices B and C, is a tool for jurisdictions looking for guidance in establishing access requirements and includes criteria for multiple-family residential developments, large one- and two-family subdivisions, specific examples for various types of turnarounds for fire department apparatus and parking regulatory signage.

SECTION D101 GENERAL

D101.1 Scope. Fire apparatus access roads shall be in accordance with this appendix and all other applicable requirements of the *International Fire Code*. The *fire code official* may be guided by the Oregon Department of Land and Conservation and Development's *Neighborhood Street Design Guidelines*, June 2001.

SECTION D102 REQUIRED ACCESS

D102.1 Access and loading. Facilities, buildings or portions of buildings hereafter constructed shall be accessible to fire department apparatus by way of an *approved* fire apparatus access road with an asphalt, concrete or other *approved* driving surface capable of supporting the imposed load of fire apparatus weighing up to 75,000 pounds (34 050 kg).

Exception: The minimum weight specified in Section D102.1 may be increased by the *fire code official* based on the actual weight of fire apparatus vehicles serving the jurisdiction that provides structural fire protection services to the location, including fire apparatus vehicles that respond under automatic and mutual aid agreements.

D102.1.1 Access in wildland-urban interface areas. For egress and access concerns in wildland-urban interface locations, the *fire code official* may be guided by the *International Wildland-Urban Interface Code*.

SECTION D103 MINIMUM SPECIFICATIONS

D103.1 Access road width with a hydrant. Where a fire hydrant is located on a fire apparatus access road, the minimum road width shall be 26 feet (7925 mm), exclusive of shoulders (see Figure D103.1).

Exception: The *fire code official* is authorized to modify the provisions of Section D103.1 where:

1. All one- and two-family dwellings located along the narrowed fire apparatus access road are protected with an *approved* automatic fire sprinkler system.

2. Provisions are made for the emergency use of sidewalks by such means as rolled or mountable curbs capable of supporting the fire department's apparatus.
3. Streets or roadways are identified for one-way circulating flow of traffic, or pullouts are provided every 150 feet (45 720 mm) on streets or roadways identified for two-way traffic.
4. A grid system for traffic flow is provided and streets or roadways in the grid do not exceed 300 feet (91 400 mm) in length and are accessible at each end from *approved* access roadways or streets.

D103.2 Grade. Fire apparatus access roads shall not exceed 10 percent in grade.

Exception: Grades steeper than 10 percent as *approved* by the *fire code official*.

D103.3 Turning radius. The minimum turning radius shall be determined by the *fire code official*.

D103.3.1 Drainage. Where subject to run-off damage, the *fire code official* is authorized to require *approved* drainage.

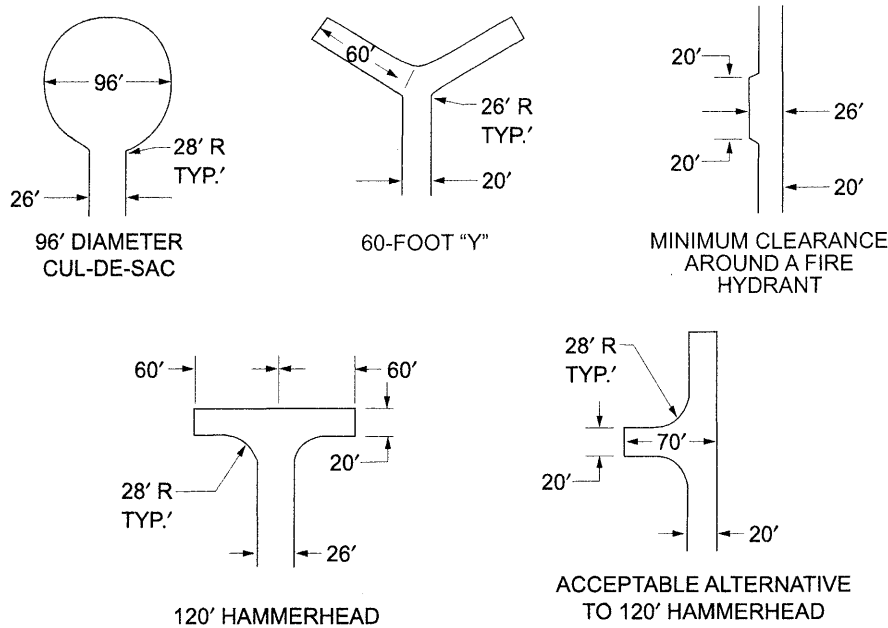
D103.4 Dead ends. Dead-end fire apparatus access roads in excess of 150 feet (45 720 mm) shall be provided with width and turnaround provisions in accordance with Table D103.4.

**TABLE D103.4
REQUIREMENTS FOR DEAD-END
FIRE APPARATUS ACCESS ROADS**

LENGTH (feet)	WIDTH (feet)	TURNAROUNDS REQUIRED
0-150	20	None required
151-500	20	120-foot Hammerhead, 60-foot "Y" or 96-foot diameter cul-de-sac in accordance with Figure D103.1
501-750	26	120-foot Hammerhead, 60-foot "Y" or 96-foot diameter cul-de-sac in accordance with Figure D103.1
Over 750		Special approval required

For SI: 1 foot = 304.8 mm.

APPENDIX D—FIRE APPARATUS ACCESS ROADS



For SI: 1 foot = 304.8 mm.

FIGURE D103.1
DEAD-END FIRE APPARATUS ACCESS ROAD TURNAROUND

D103.5 Fire apparatus access road gates. Gates securing the fire apparatus access roads shall comply with all of the following criteria:

1. Where a single gate is provided, the gate width shall be not less than 20 feet (6096 mm). Where a fire apparatus road consists of a divided roadway, the gate width shall be not less than 12 feet (3658 mm).
2. Gates shall be of the swinging or sliding type.
3. Construction of gates shall be of materials that allow manual operation by one person.
4. Gate components shall be maintained in an operative condition at all times and replaced or repaired when defective.
5. Electric gates shall be equipped with a means of opening the gate by fire department personnel for emergency access. Emergency opening devices shall be approved by the fire code official.
6. Methods of locking shall be submitted for approval by the fire code official.
7. Electric gate operators, where provided, shall be listed in accordance with UL 325.
8. Gates intended for automatic operation shall be designed, constructed and installed to comply with the requirements of ASTM F2200.

D103.6 Signs. Where required by the fire code official, fire apparatus access roads shall be marked with permanent NO PARKING—FIRE LANE signs complying with Figure D103.6. Signs shall have a minimum dimension of 12 inches (305 mm) wide by 18 inches (457 mm) high and have red letters on a white reflective background. Signs shall be posted

on one or both sides of the fire apparatus road as required by Section D103.6.1 or D103.6.2.

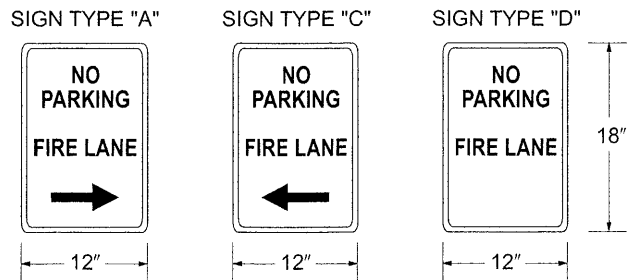


FIGURE D103.6
FIRE LANE SIGNS

D103.6.1 Roads 20 to 26 feet in width. Fire lane signs as specified in Section D103.6 shall be posted on both sides of fire apparatus access roads that are 20 to 26 feet wide (6096 to 7925 mm).

D103.6.2 Roads more than 26 feet in width. Fire lane signs as specified in Section D103.6 shall be posted on one side of fire apparatus access roads more than 26 feet wide (7925 mm) and less than 32 feet wide (9754 mm).

**SECTION D104
COMMERCIAL AND INDUSTRIAL DEVELOPMENTS**

D104.1 Buildings exceeding three stories or 30 feet in height. Buildings or facilities exceeding 30 feet (9144 mm) or three stories in height shall have not fewer than two means of fire apparatus access for each structure.